

Roll No.

Total No. of Pages : 03

Total No. of Questions : 09

B.Tech.(ME) (Sem.-3)

MACHINE DRAWING

Subject Code : BTME303-18

M.Code : 76419

Date of Examination : 29-12-2023

Time : 3 Hrs.

Max. Marks : 60

INSTRUCTIONS TO CANDIDATES :

1. There are three sections in this question paper. Attempt **ALL** the questions from **SECTION-A**.
2. Attempt any **TWO** questions from **SECTION-B** and any **ONE** question from **SECTION-C**.
3. First angle projection to be used. You may assume any missing dimension.

SECTION-A

(10×2=20)

1. Write briefly :

- a) What do you understand by : (i) length of a weld (ii) size of a weld.
- b) What are the functions of connecting rod in IC engines?
- c) Mention various types of bearings?
- d) Draw conventions for : (i) internal threads (ii) rubber.
- e) Explain difference between Aligned and Unidirectional System of Dimensioning with a suitable example.
- f) Write two common materials which are being used for making bushes.
- g) What is difference between right-hand and left-hand threads?
- h) Sketch the convention of a round section.
- i) Name two head forms of rivets.
- j) What do you understand by flexible coupling?

SECTION – B

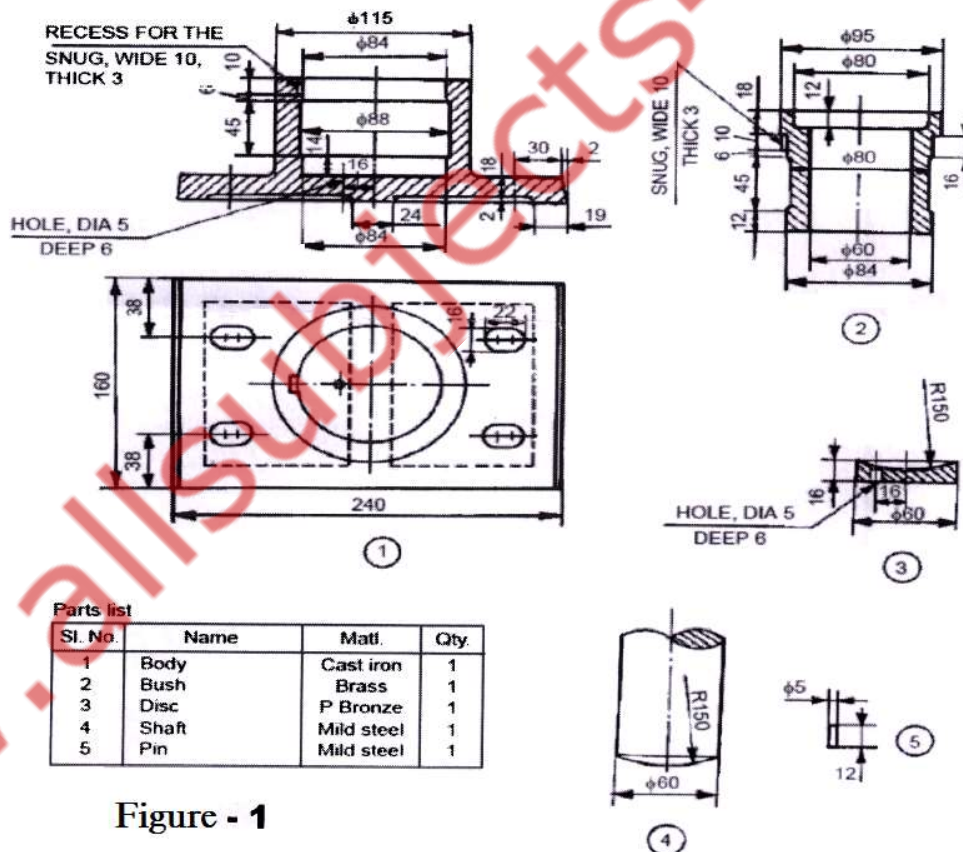
(2×5=10)

2. Draw free hand the full sectional front view and side view of the Muff Coupling.
3. Draw freehand the sectional front view and side view of Union Joint.
4. Draw freehand the full sectional front view and top view of Knuckle Joint.

SECTION – C

(1×30=30)

5. The part drawings of a Foot-step Bearing are shown in Figure 1. Assemble the parts and draw full sectional front view and top view. Also show the Bill of Materials.
6. The part drawings of a Screw Jack are shown in Figure 2. Assemble the parts and draw full sectional view from the front and top view. Also, show the Bill of Materials.



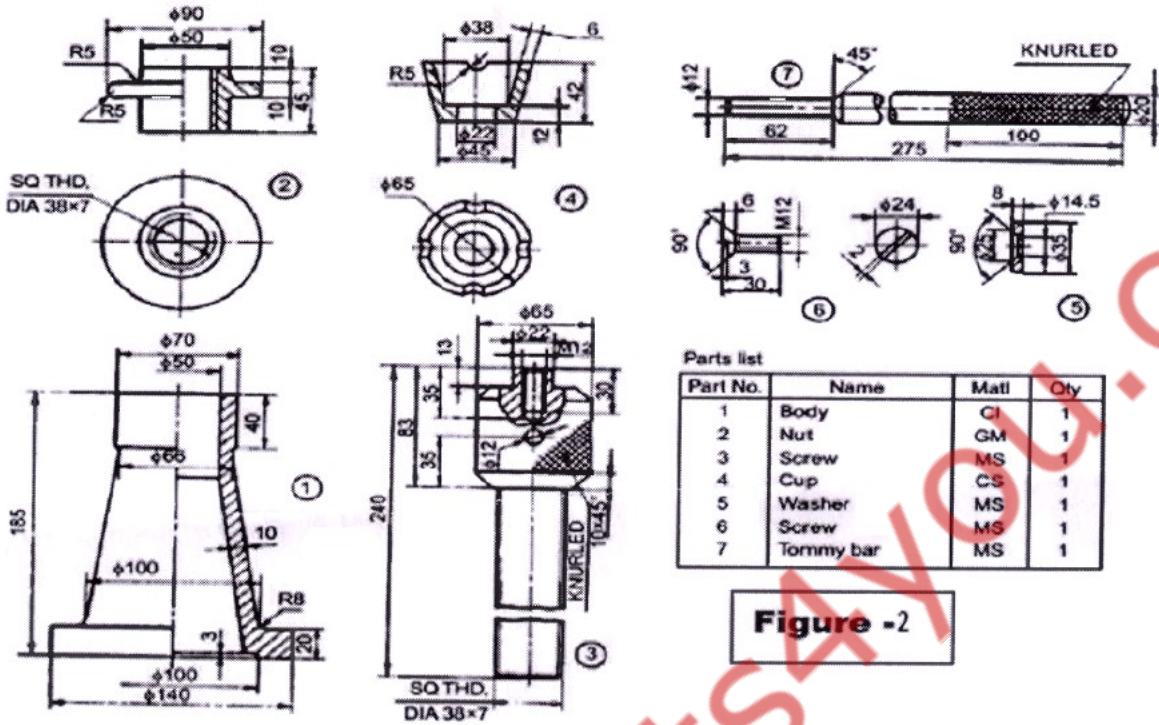


Figure -2

NOTE : Disclosure of Identity by writing Mobile No. or Making of passing request on any page of Answer Sheet will lead to UMC against the Student.